

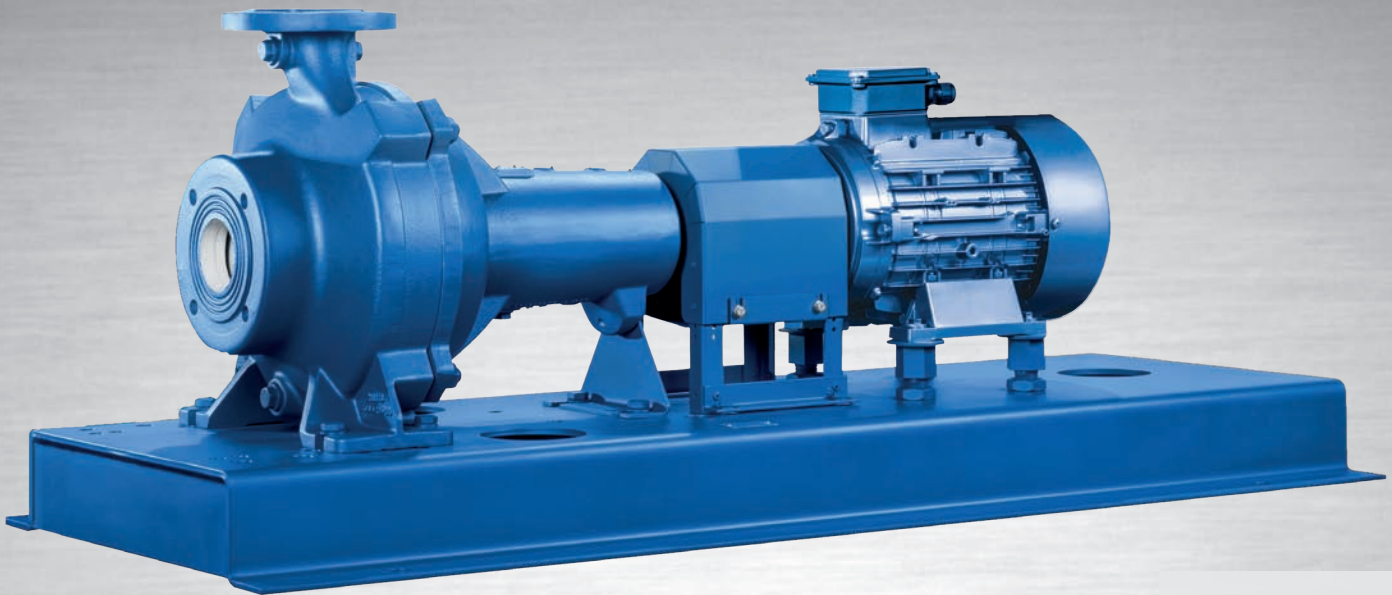
► Our technology. Your success.

Pumps • Valves • Service



Sewatec/Sewabloc – Waste Water Pump with F-max Enhanced Hydraulic System

New impellers
F-max, E-max, K-max



Applications:

- Waste water transport
- Waste water treatment
- Sludge treatment
- Stormwater transport

More information:

<https://www.ksb.us.com>



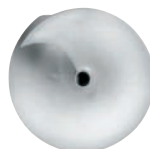
Type F-max



Type E-max



Type K-max



Type D

Sewatec/Sewabloc – Waste Water Pump with F-max Enhanced Hydraulic System

1 Reliable operation

Non-clogging impellers with large free passages, optimized for every type of waste water

2 Energy savings

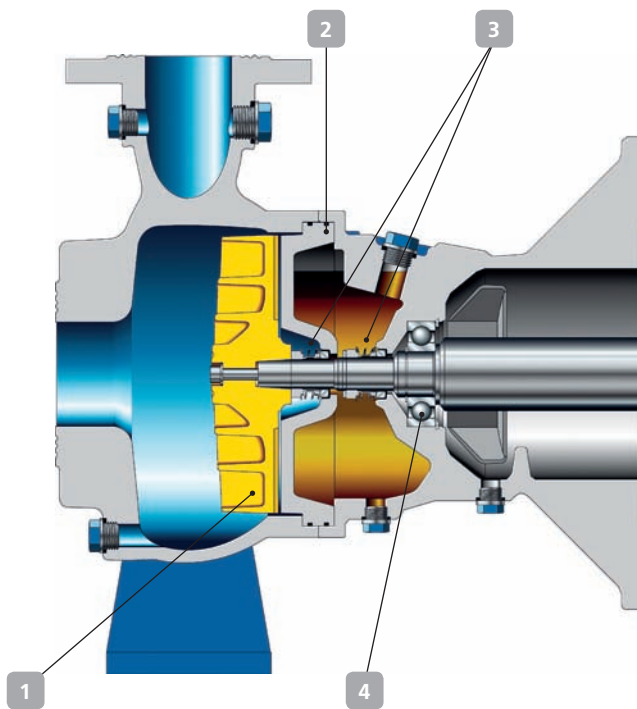
- Optimized hydraulic system yields high efficiency.
- In combination with the motor, the operating costs can be markedly reduced

3 Dependability

Two bi-directional mechanical seals with oil reservoir

4 Cost efficiency

- Maintenance reduced by rolling element bearings (up to S04) grease-packed for life (higher than S04) regreasable
- Optimized spare parts inventories: Standardized components are interchangeable within this type series and with the submersible motor pumps of the Amarex KRT type series



Flexibility

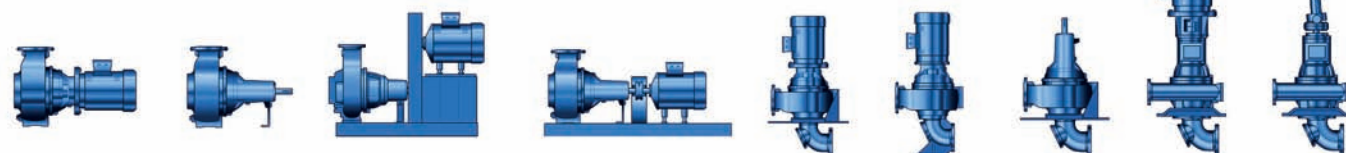
- Various installation types to suit different site conditions
- Easy to install and remove with maintenance skid for Sewabloc
- New generation of impellers (F-max, E-max, K-max) with improved efficiencies and steeper characteristic curves

Technical data

Sizes	Up to 28 in.
Capacity	Up to 44,000 gpm
Head	Up to 394 ft.
Discharge pressure	Up to 145 psi
Temperature	Up to 158 °F

* Explosion-proof to NEC 500, Class 1, Division 1, Groups C and D, T3, hazardous (classified) locations.

Maintenance skid



KSB, Inc.
4415 Sarellen Road
Henrico, VA 23231
www.ksb.us.com