



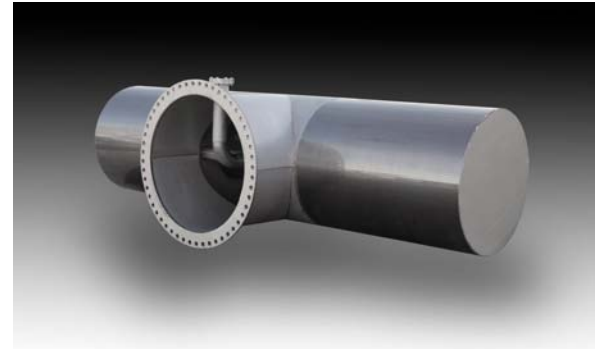
T-Intake Screens

Our water intake screens are ready to go.

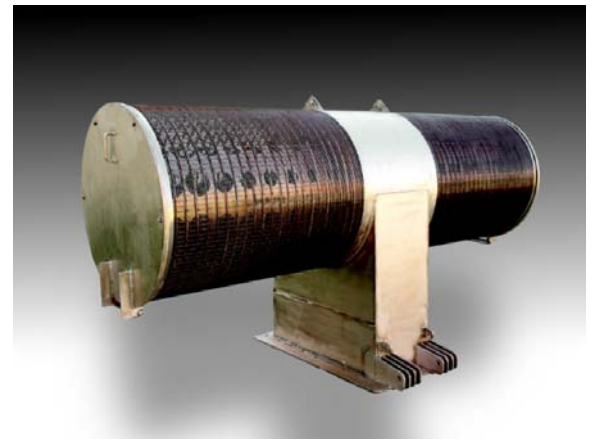
Hendrick produces passive water intake screens for withdrawing water from lakes, rivers, streams and reservoirs. Our proprietary Profile Bar and Resistance Welded designs lead to less debris and clogging for a smoother water flow. We have solutions for any situation you encounter. Our screens are 316(b) compliant and are approved by NMFS.

Options:

- T-Intakes
- Half-Barrel Intakes
- Drum Screens
- Flat Panels
- Airburst Cleaning Systems



Hendrick offers water intake screens with flexible, cost effective designs. Our flow modifiers are designed to maximize flow equalization, reduce head loss and minimize costs.



Half-Barrel Intake Screen

Shallow Water Solution



For shallow water conditions, Hendrick offers a patented half-barrel intake screen. With the same flow characteristics of our T-Intake screens, the bottom discharge outlet allows complete functionality in low water. Ideal for small creeks or rivers where a full T-Intake screen won't work.*

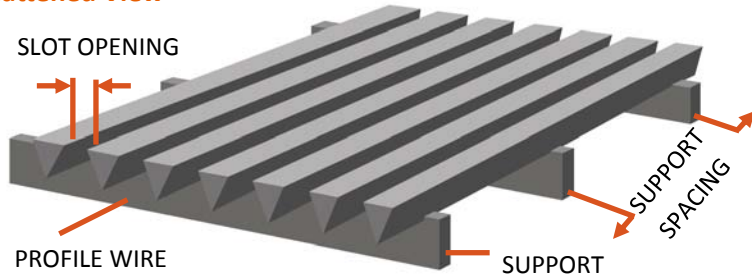
* U.S. Patent HSC 003 UAU51

Airburst Cleaning Systems



Assure trouble-free, uninterrupted operations with Hendrick's Airburst Cleaning systems. It's fully customizable to your needs with automatic or manual controls.

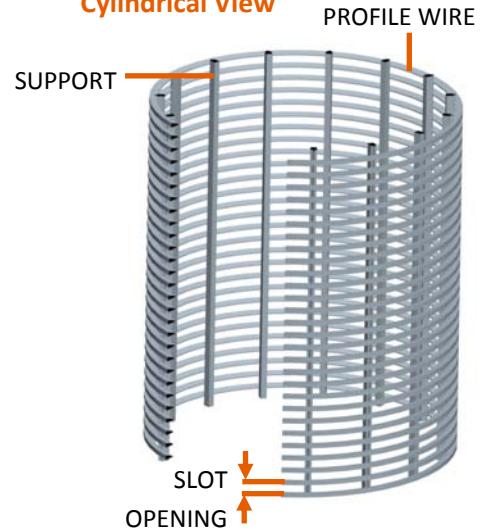
Flattened View



Wedge Wire Construction

Intake Screen, Drum Screen and Half-Barrel Construction

Cylindrical View



Profile Wire

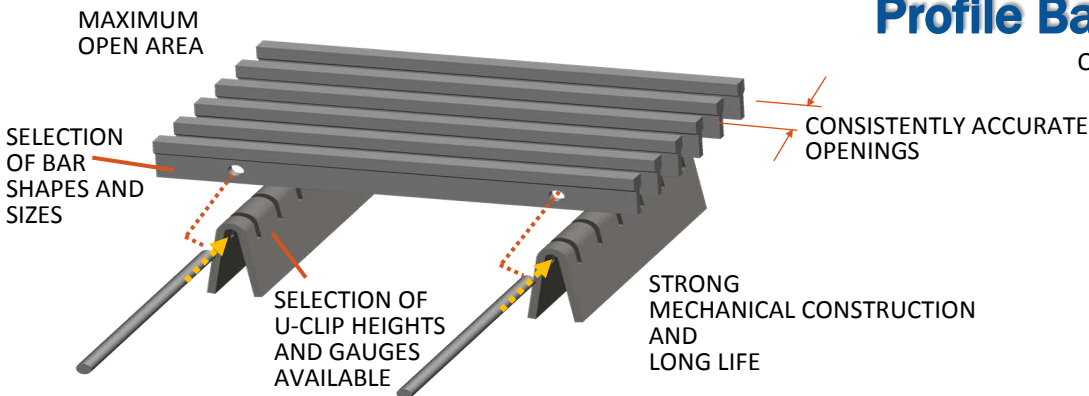
Images are not to scale

	30V	47V	60V	69SV	69V	90V	125V	130V
Bar Width	.030	.047	.060	.069	.069	.090	.125	.130
Bar Height	.080	.098	.100	.125	.185	.150	.200	.310
Relief Angle	6°	10°	13°	10°	6°	13°	13°	8°

Support

Images are not to scale

	.070 x .50	.070 x .75	.070 x 1	90Q	L90Q	130Q	130QT	.118 x .185
Bar Width	.070	.070	.070	.090	.090	.118	.118	.118
Bar Height	.500	.750	1.000	.160	.125	.197	.272	.185



Profile Bar Construction

Optional Construction for Flat Panels

Profile Bar

Images are not to scale

	B69	B6S	B6	B9S	B9	B12	T9M	T9	F12	T12	T16	T24
Bar Width	.069	.093	.093	.140	.140	.187	.140	.140	.187	.187	.250	.500
Bar Height	.290	.290	.375	.320	.375	.500	.453	.453	.500	.500	.750	.750
Cap Height	.080	.080	.093	.110	.125	.156	.150	.203	.185	.188	.250	.250