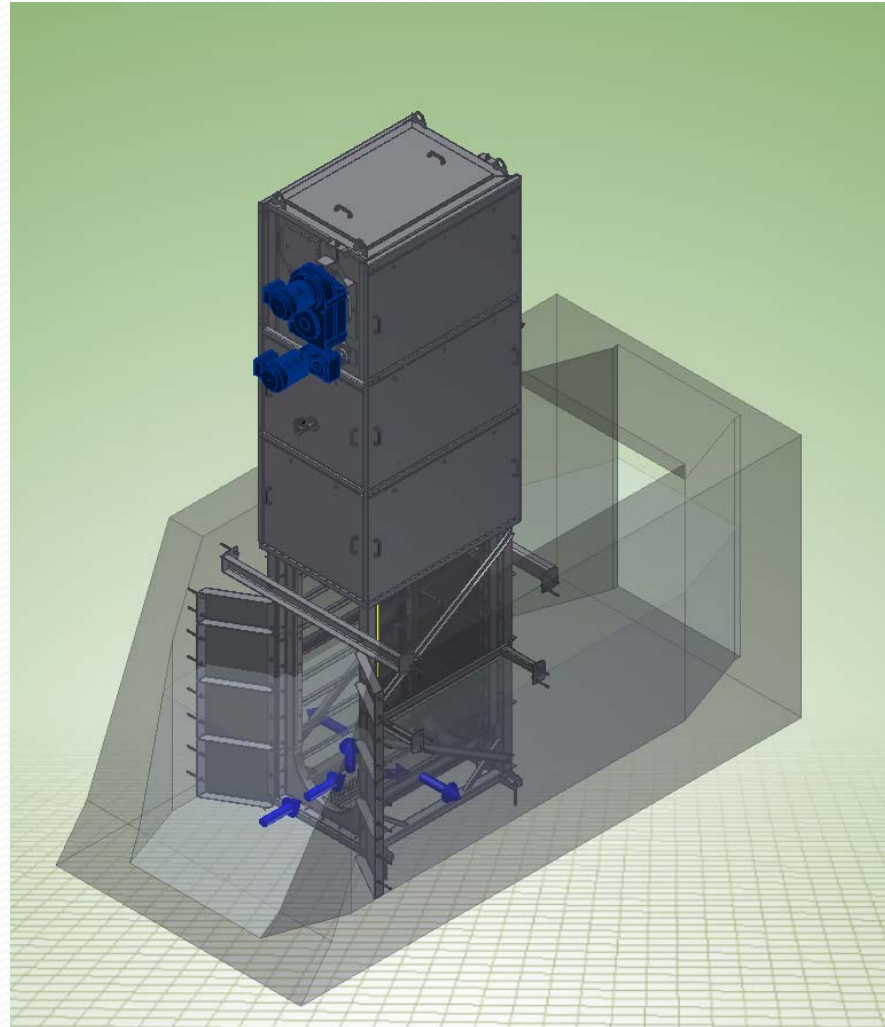


Kusters Water – Center-Flo Fine Screen

Flow into the center of the screen and out through both sides of the filter panels

Insensitive to grit and stones

Single Drive System



Kusters Water – Center-Flo Fine Screen

Optional Integral flow
bypass door

Filter panel widths from 1' –
16'

Depths to 50' plus

Excellent choice for high
flow membrane plants with
screening down to 1mm
perforated or .5 mm mesh



Kusters Water – Center-Flo Fine Screen

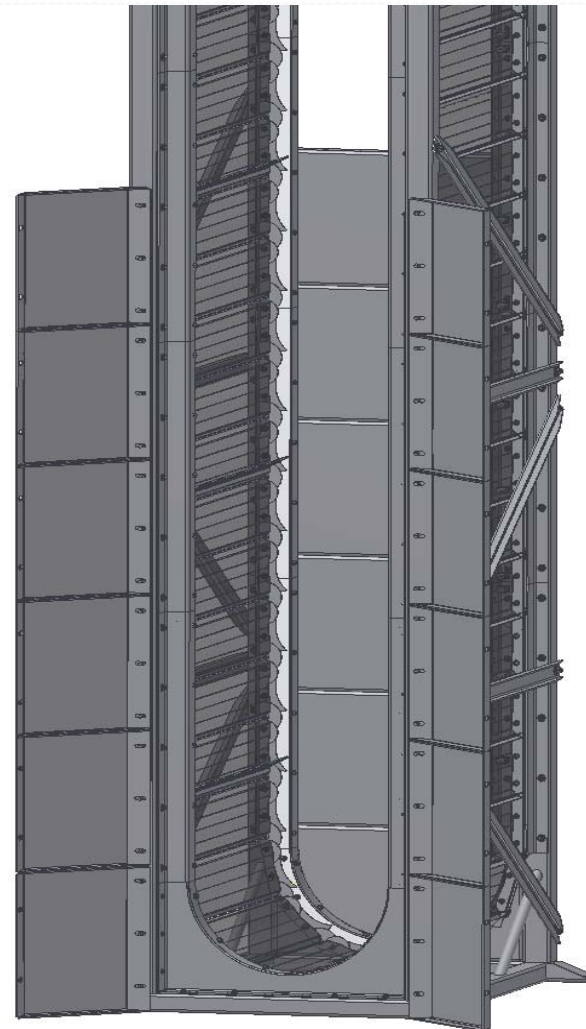
Vertical installation for
reduced footprint

Standard with channel wall
seal plates

304SS or 316SS materials

Completely enclosed above
the operating floor

Low maintenance costs

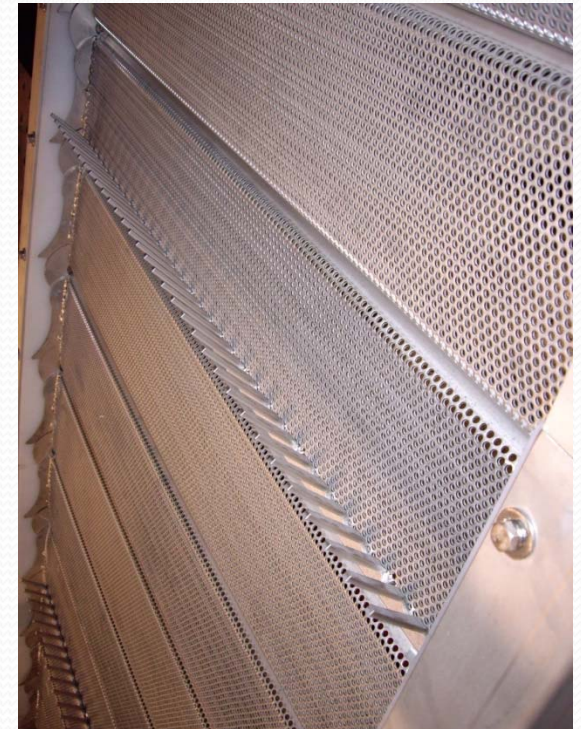


Kusters Water – Center-Flo Fine Screen

Integral Lifting ledges for larger items

Easily replaceable filter panels

No lower sprocket. Fixed guides used for the lower turnaround



Kusters Water – Center-Flo Fine Screen

Dual cleaning arrangement
using brush drive and spray
header arrangement

Screenings are collected
by an integral tapered
trough and flumed to a
washer compactor

Optional integral compactor
available

