



PRODUCT: VISTEX GRIT REMOVAL SYSTEM  
TANK MOUNT

212 S. KIRLIN  
MISSOURI VALLEY, IOWA  
51555 USA  
PH. 712-642-2755  
FAX 712-642-4256

PROJECT:

DRAWN BY:

CUSTOMER:

SCALE: NONE

ENGINEER:

REVISION NO:

DRAWING NO: VI-VGR-A1

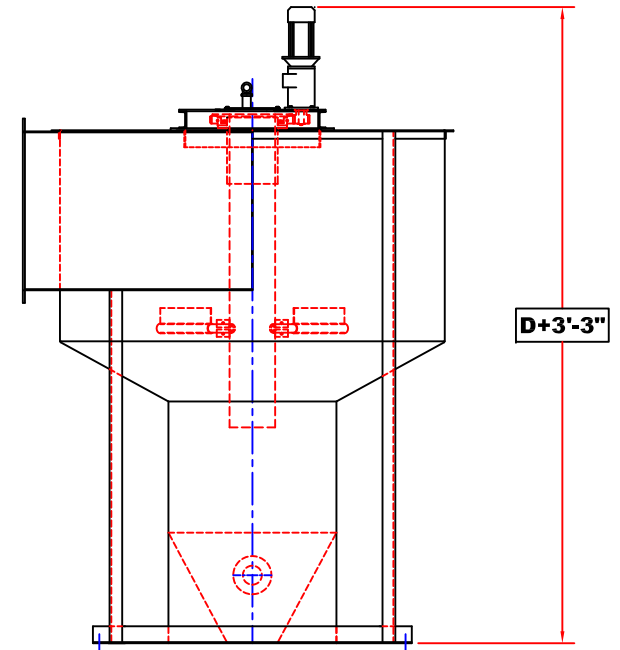
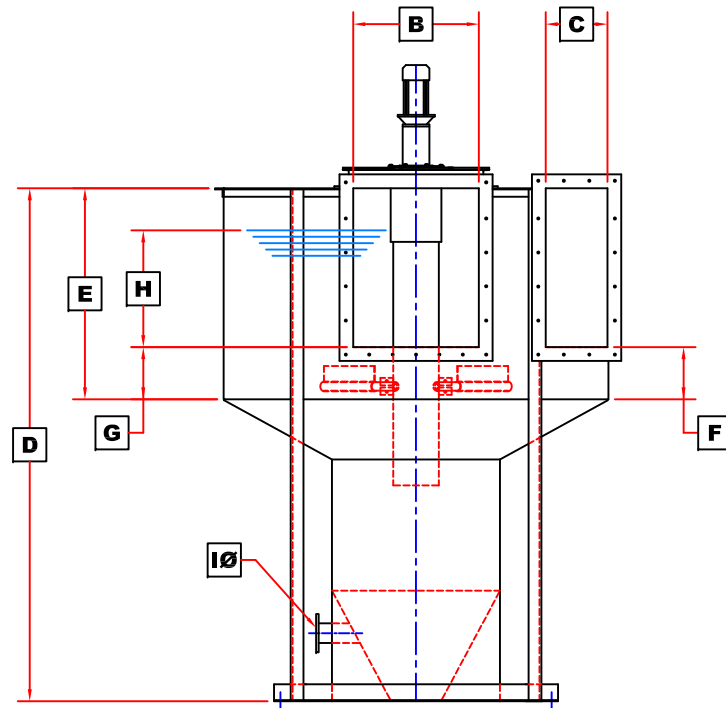
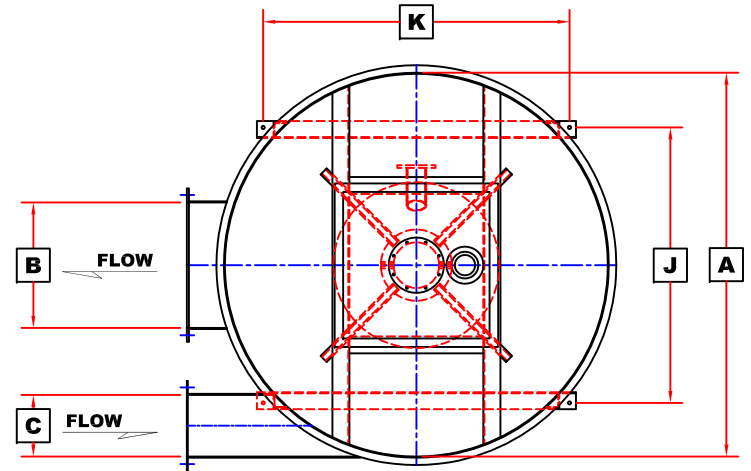
DATE:

REV. DATE:

FACTORY NO:

THIS DOCUMENT CONTAINS INFORMATION PROPRIETARY TO VULCAN INDUSTRIES, INC. IT SHALL NOT BE REPRODUCED, USED OR DISCLOSED WITHOUT PRIOR WRITTEN CONSENT OF VULCAN INDUSTRIES, INC.

MODEL	FLOW (MAX. MGD)	A (TANK DIA.)	B	C	D	E	F	G	H	I	J	K
A-04	1.0	6'-6"	2'-0"	1'-0"	9'-6"	4'-0"	1'-0"	1'-0"	8"	4"	4'-8"	5'-4"
A-10	2.5	7'-6"	2'-6"	1'-3"	9'-8"	4'-0"	1'-0"	1'-0"	1'-0"	4"	5'-4"	6'-0"
A-15	4.0	8'-0"	3'-0"	1'-6"	10'-6"	4'-3"	1'-4"	1'-4"	1'-4"	4"	5'-9"	6'-5"
A-27	7.0	10'-0"	4'-0"	2'-0"	11'-4"	4'-6"	1'-6"	1'-6"	1'-6"	4"	7'-2"	7'-10"





PRODUCT: MODEL B VISTEX GRIT REMOVAL SYSTEM  
CONCRETE TANK MOUNT

212 S. KIRLIN  
MISSOURI VALLEY, IOWA  
51555 USA  
PH. 712-642-2755  
FAX 712-642-4256

PROJECT:	DRAWN BY:
CUSTOMER:	SCALE: NONE
ENGINEER:	REVISION NO:
DATE:	REV. DATE:

DRAWING NO: VI-VGR-B1

FACTORY NO: THIS DOCUMENT CONTAINS INFORMATION PROPRIETARY TO VULCAN INDUSTRIES, INC. IT SHALL NOT BE REPRODUCED, USED OR DISCLOSED WITHOUT PRIOR WRITTEN CONSENT OF VULCAN INDUSTRIES, INC.

MODEL	FLOW (MAX. MGD)	A (TANK DIA.)	B	C	D	E	F	G	H	I	J	K
<b>B-04</b>	1.0	6'-6"	2'-0"	1'-0"	4'-0"	3'-0"	1'-0"	4'-6"	9'-6"	1'-0"	1'-0"	8"
<b>B-10</b>	2.5	7'-6"	2'-6"	1'-3"	4'-0"	3'-3"	1'-0"	4'-6"	9'-8"	1'-0"	1'-0"	1'-0"
<b>B-15</b>	4.0	8'-0"	3'-0"	1'-6"	4'-3"	3'-6"	1'-4"	5'-0"	10'-6"	1'-4"	1'-4"	1'-4"
<b>B-27</b>	7.0	10'-0"	4'-0"	2'-0"	4'-6"	4'-6"	1'-4"	5'-3"	11'-4"	1'-6"	1'-6"	1'-6"
<b>B-45</b>	12.0	12'-0"	5'-0"	2'-6"	5'-0"	5'-0"	1'-4"	6'-0"	13'-4"	2'-4"	1'-8"	1'-10"
<b>B-75</b>	20.0	16'-0"	6'-0"	3'-0"	6'-0"	5'-0"	1'-4"	7'-0"	16'-6"	3'-4"	1'-8"	2'-0"
<b>B-115</b>	30.0	19'-0"	7'-0"	3'-6"	6'-6"	5'-0"	1'-4"	7'-6"	18'-6"	4'-3"	2'-0"	2'-6"

